

## 1 ZÖLLNER Combined Control Type 10+SBG

for whistles, lamp, bell and gong system  
according to IMO 1972, ISO 8468, DIN 43700  
BSH/49/20G/94  
for 230 V 50 + 60 Hz  
similar to drawing SP 14059-4  
with black front plate 144 x 144 mm

automatic with the following MANEUVRING and  
WARNING signals acc. to IMO Colregs 1972

Rule 34 (a,b,d), Rule 35 (a,b,c,e,g), Rule 37  
Annex IV-SOS

comprising the following components:

10 illuminated keys for maneuver and warning signals,  
as well as for sound signals in restricted visibility

2 illuminated keys for bell and gong signals

1 dimmer for key illumination

2 selector switches

a) for adjustment of intervals 60 sec - 120 sec

b) for signal preselection of 6 fog signals

1 selector switch for whistle preselection  
(not included with only one whistle on board)

1 terminal strip included for connection of:

- 2 whistles

- 1 maneuver signal lamp

- 1 bell

- 1 gong

- 1 key for sound signals

- 1 key for light signals

- 5 potential-free exits for horn 1, horn 2,  
bell, gong and maneuver signal lamp

approx. net weight: 2.8 kg

## 1 Set of Spare Parts

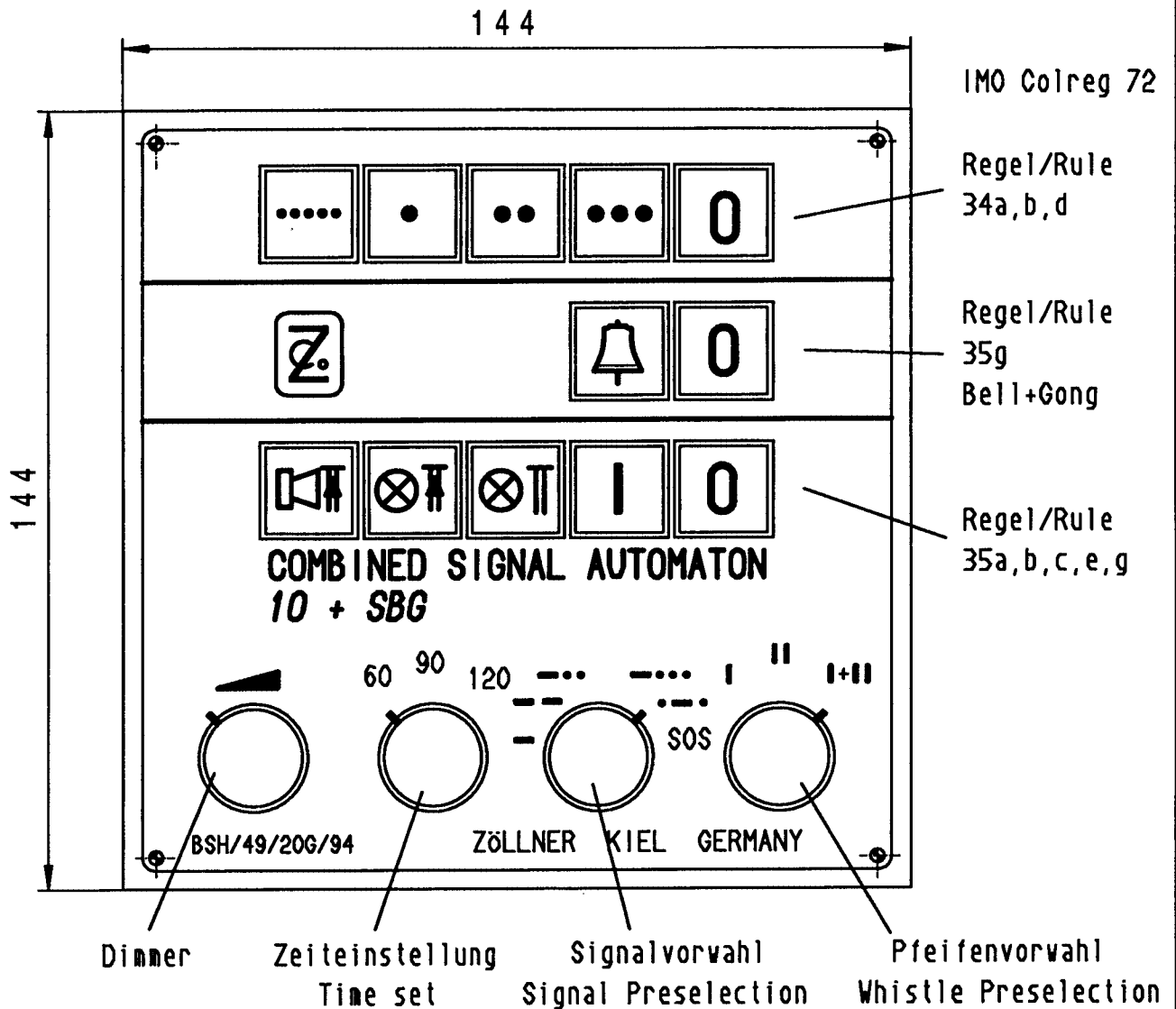
according to list Li 149



Combined Whistle, Lamp, Bell and Gong  
Automatic Signal System

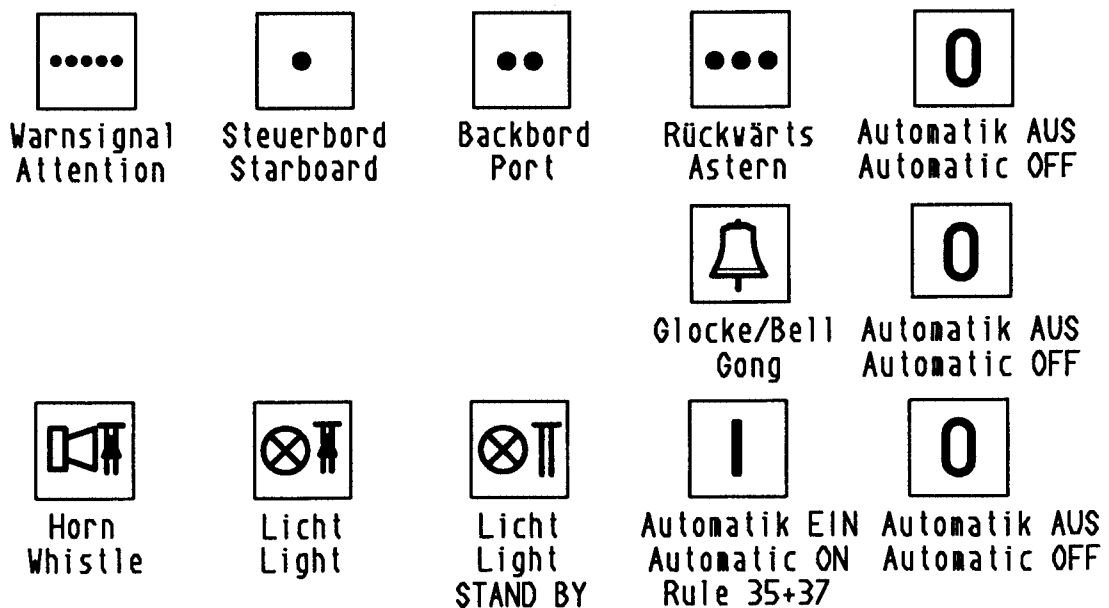
10+SBG

SP  
14059-4



Einbauöffnung: 139x139mm DIN 43700  
Hole for installation:

Einbautiefe: 100mm  
Plug in depth:



Ände. Jhg. vorbehalten!  
Subject to alteration!

20.12.94 Sch.  
10.12.96 Sch.

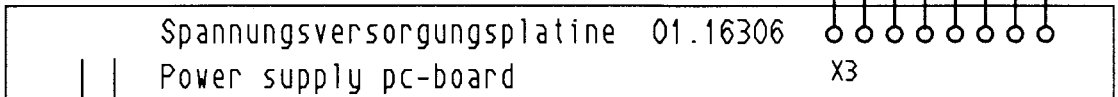
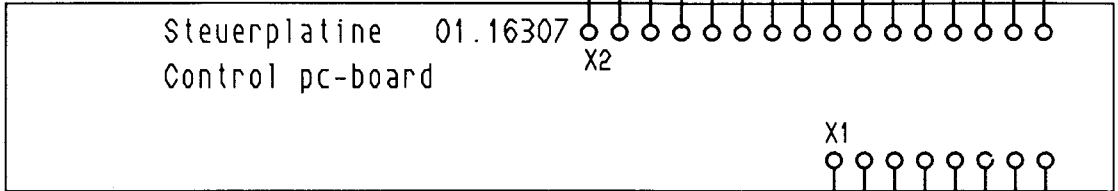
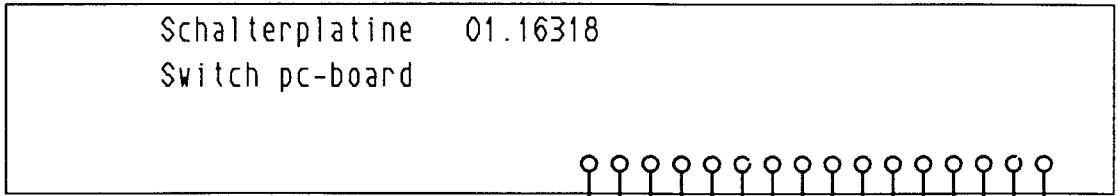
ZÖLLNER • KIEL



Anschlussplan Signal Automat  
Connection Diagram Signal Automaton

10 + SBG

Typ A = Pfeife I/Whistle I  
Typ B = Pfeife I+II/Whistle I+II  
Typ C = Pfeife I, I+II, II/Whistle I, I+II, II

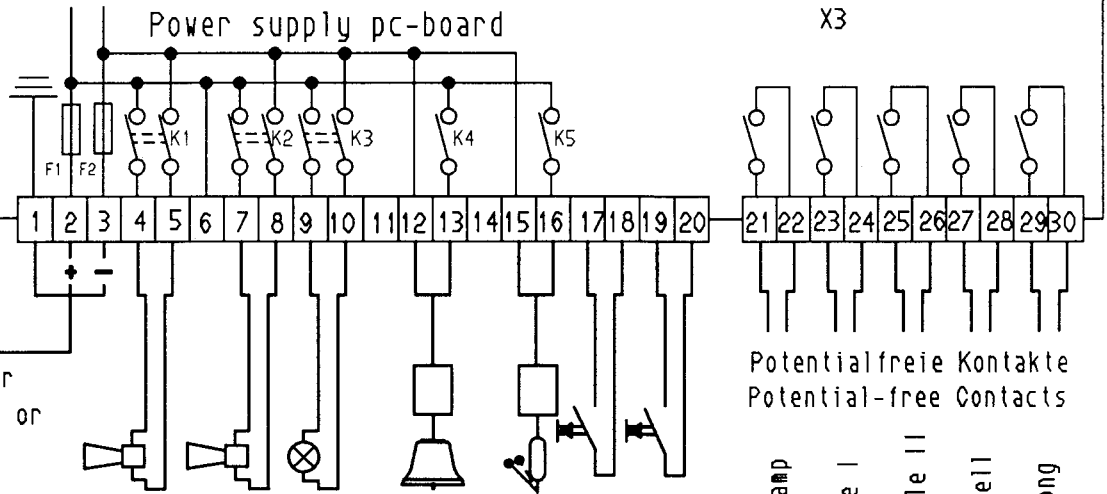


F1, F2=2A

Einspeisung  
Feeding

24V DC or  
110-120V AC or  
210-240V AC

s. Typenschild  
1. at type plate



Potentialfreie Kontakte  
Potential-free Contacts

Pfeife II  
Whistle II

Pfeife I  
Whistle I

Lampe/Lamp

Glocke/Bell

Gong

Pfeife  
Whistle

Lampe/Lamp

Lampe/Lamp

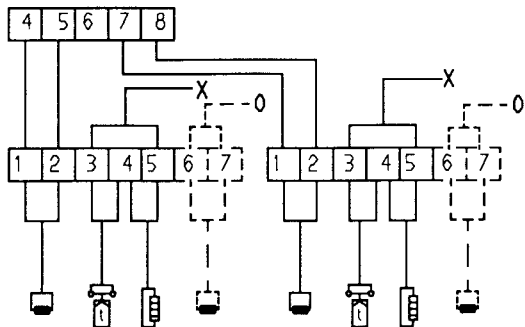
Pfeife I/Whistle I

Pfeife II/Whistle II

Glocke/Bell

Gong

Makrofon  
m. Heizung/v. heating



Pfeife II  
Whistle II

Pfeife I  
Whistle I

X = Heizspannung/heating tension  
0 = Notstrom/emergency tension

- Pfeife I/whistle I=Zet-Horn oder/or Makrofon
- Pfeife II/whistle II=Zet-Horn oder/or Makrofon
- Pfeife I/whistle I=ZETFON oder Drucker/or printer
- Pfeife II/whistle II=ZETFON oder Drucker /or printer
- Anschluss /connection=General Alarm (Zöllner GAV)

Tasterleitungen verdreht oder abgeschirmt verlegen !  
Lay cables for signal keys twisted or screened !

Werkseitig eingestellt  
Factory adjusted

Typ A , B , C

Änderun\_ vorbehalten i  
Subject to alteration i

22.01.96 Sch. 5.2.58Pe  
09.09.97 Sch.

ZÖLLNER < KIEL

01.16442 -4



Ersatzteilsatz für Automat  
Set of spare parts for Automaton

10+SBG

Li  
149

Stck. Qty.	Zeichnung Drawing	Benennung/techn.Daten Designation/techn.Data	Teil Nr. Part no.	Bestell-Nr. Order no.	Gewicht Weight kg
1		Leuchtaster illuminated key 18x18	Li149-10	61.09514550	0,070
2		Tasterkappe cap of key grün/green	Li149-20	61.09519535	0,002
4		Stecklampe bulb 24V/0,96W	Li149-30	61.09319632	0,001
1		Lampenzieher bulb extractor 5,5	Li149-40	61.1009013	0,005
2		Sicherung fuse 2A #5x20	Li149-50	68.3320120	0,001
1		Sicherung fuse 2,5A #5x20	Li149-60	68.3320125	0,001
1		Sicherung fuse 1A #5x20	Li149-70	68.3320101	0,001
1		Relais relay 24V DC/5A	Li149-80	63.252303705	0,002
1		Ersatzteilkasten spare parts box 107x85x47	Li149-90	88.7002010	0,065

Anderung vorbehalten!  
Subject to alteration!

26.03.97 Sch.

ZÖLLNER • KIEL