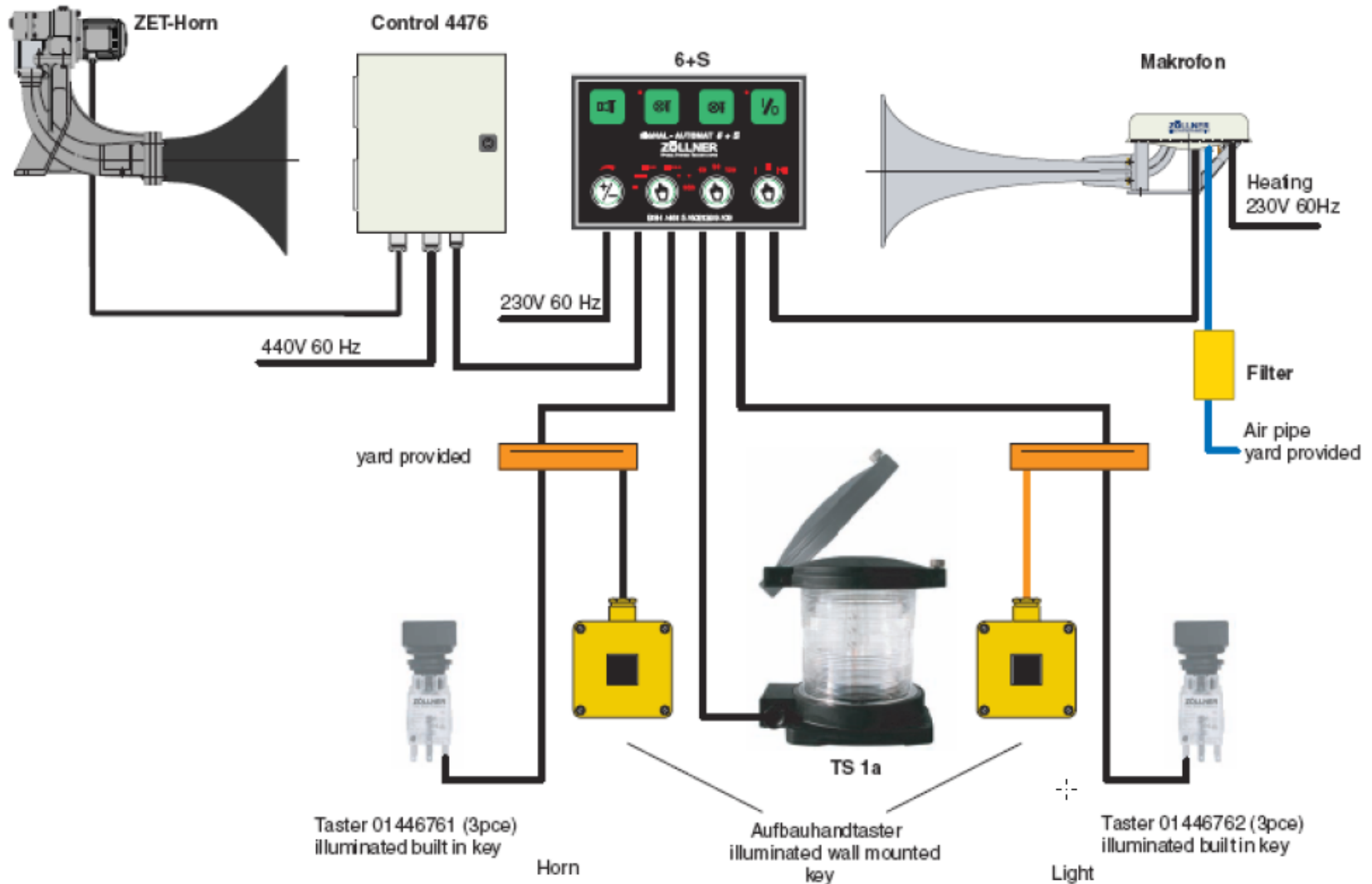
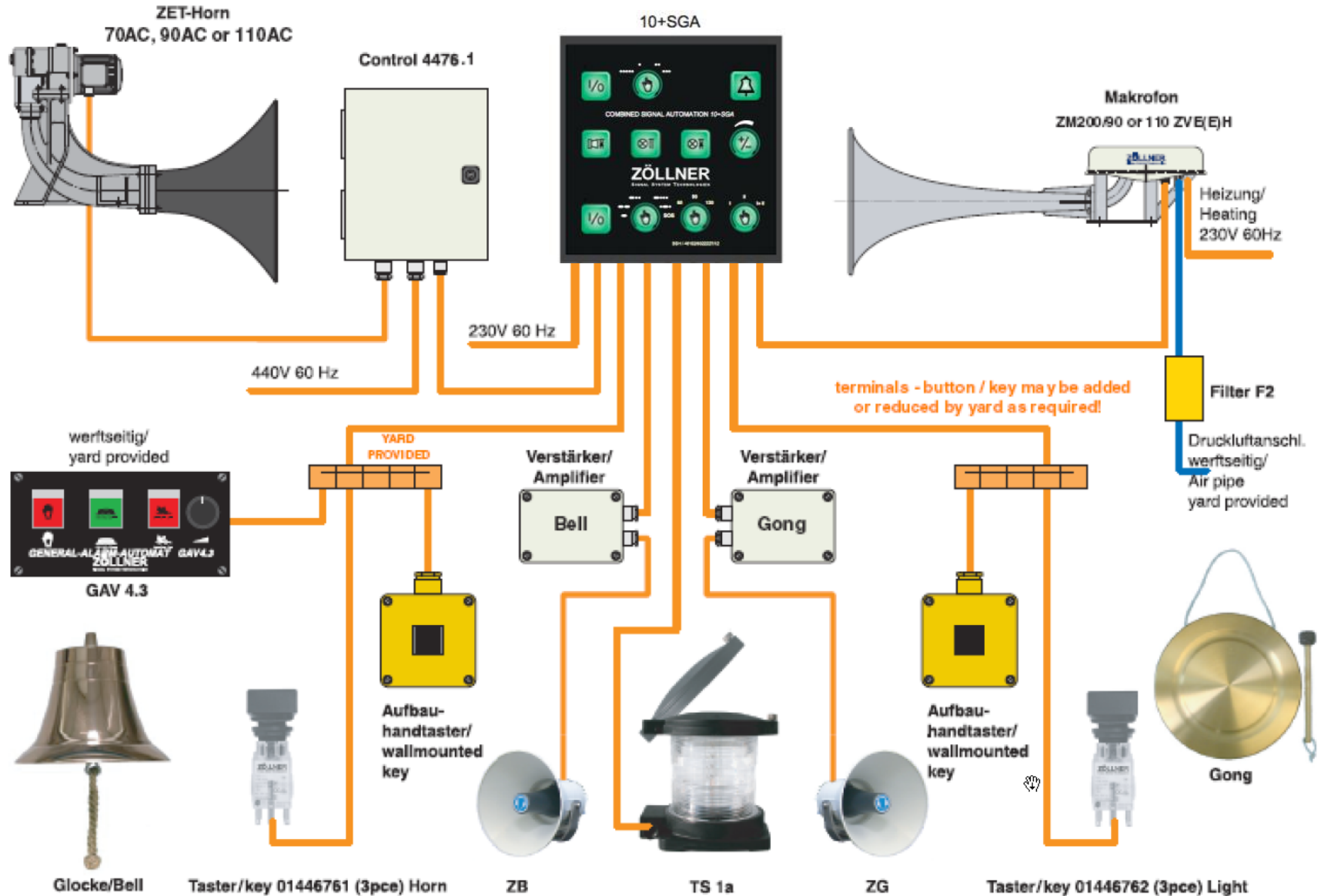


Overview shipset class I

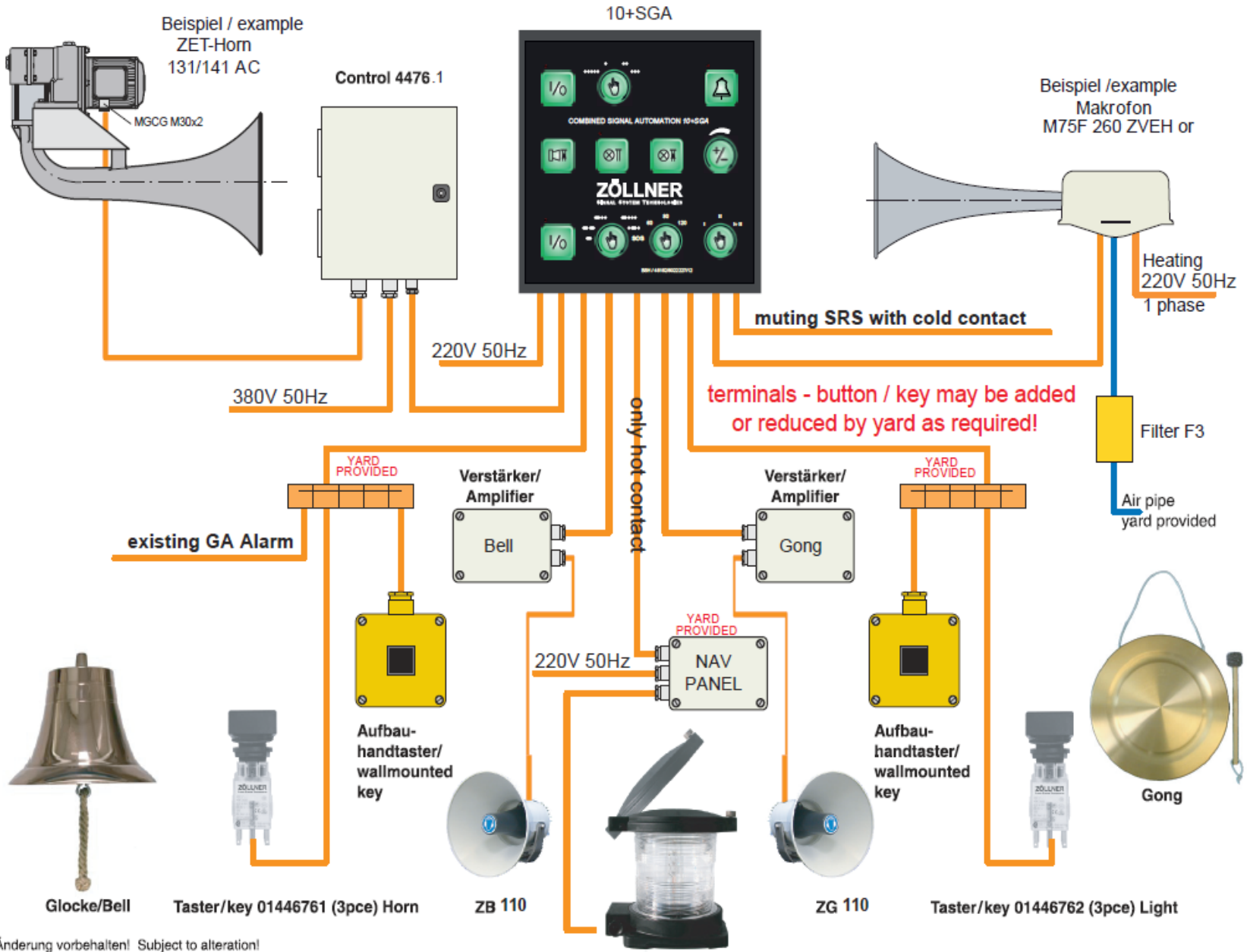


Overview with extras



MH 09/14

ZÖLLNER - KIEL

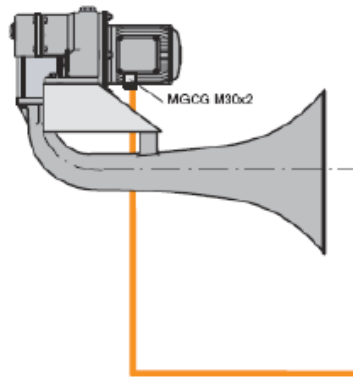


Änderung vorbehalten! Subject to alteration!

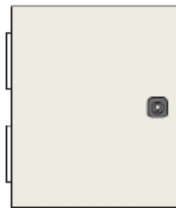
Overview shipset class II

Schiffslänge L.O.A. 75 - < 200 m

Beispiel / example
ZET-Horn
131/141 AC



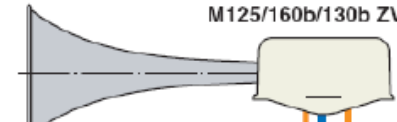
Control 4476.1



> 100 m = Typ "B"
< 100 m = Typ "C"



Beispiel / example
Makrofon
M75F 260 ZVEH or
M125/160b/130b ZVEH



Heating
230V 50/60Hz
1 phase

Filter F3

Air pipe
yard provided

380/440V 50/60 Hz
3phase

230V 50/60 Hz
1 phase

yard provided

yard provided

For this combined whistle system you need only:

ZET-Horn: 1 cable 3phase
to main switch board

Makrofon: 1 cable 1 phase
to solenoid valve
1 cable 1 phase
to heating of Makrofon
1 piping



Taster einbau
button built in



Aufbauhandtaster
button wall mounting



TS 1a



Aufbauhandtaster
button wall mounting



Taster einbau
button built in

Horn

Light

Overview extras

